

Monocrystalline Photovoltaic Module »



MEPV 108 HALF-CUT ICON

BLACK - STANDARD - BICOLOUR »
400/410/415/420 Wp

QUALITY »



M10 Wafer
Ultra-high power



Efficiency
415Wp - 420Wp



Long durability
80% at the 30th year



Fire resistance
Maximum protection



Avoid losses
Better shading tolerance



Load endurance
Front load / Back load



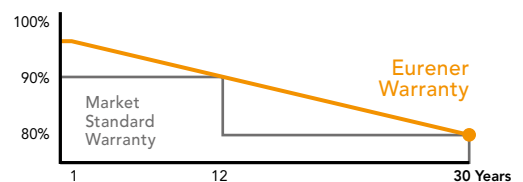
*** EUROPEAN QUALITY



WARRANTIES »

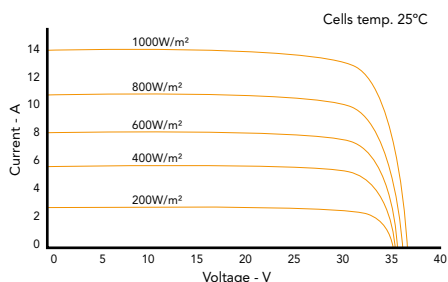
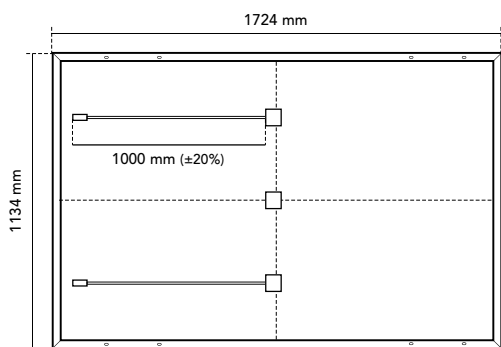
20 YEARS PRODUCT WARRANTY
+5 years for Premium Partners

30 YEARS PERFORMANCE WARRANTY
Linear Warranty



CERTIFICATES »





FRAME

Black / Silver anodized aluminium

Robust and resistant to corrosion

JUNCTION BOX

Sealed, robust and wide for heat dissipation

IP67/IP68 according to IEC 60529

Diodes by-pass built-in 3

Connector MC4 compatible

Cables 1000 mm (±20%) length and 4 mm² section

FRONTAL

3,2 mm thick tempered glass with high strength and ARC

Textured, extra-clear with low iron content

Frontal load (snow) 5400 Pa | Back load (wind) 2400 Pa

SOLAR CELLS

108 [2x (9x6)] cells monocrystalline silicon

WEIGHT AND DIMENSIONS

21,5 Kg | 1724 x 1134 x 30 mm (±1%) | Pack: 962/936 pcs-truck

ELECTRIC DATA »

| BLACK - STANDARD - BICOLOUR | MEPV 400 | MEPV 410 | MEPV 415 | MEPV 420 STANDARD ONLY |
|--|---------------------|----------|----------|---------------------------|
| STC: 1000 W/m², module temperature 25°C, AM 1,5 | | | | |
| Nominal power. Pmax | 400 Wp | 410 Wp | 415 Wp | 420 Wp |
| Max. power tolerance. Pmax | 0 / +5 W | 0 / +5 W | 0 / +5 W | 0 / +5 W |
| Area of the module | 1,96 m ² | | | |
| Module efficiency | 20,46 % | 20,97 % | 21,23 % | 21,48 % |
| Isc | 13,79 A | 13,95 A | 14,02 A | 14,10 A |
| Voc | 37,07 V | 37,32 V | 37,45 V | 37,57 V |
| Imp | 12,90 A | 13,04 A | 13,13 A | 13,21 A |
| Vmp | 31,01 V | 31,45 V | 31,61 V | 31,81 V |
| NOCT: 800 W/m², ambient temperature 20°C, AM 1,5 | | | | |
| Nominal power. Pmax | 301,96 W | 309,98 W | 313,85 W | 318,35 W |
| Isc | 11,03 A | 11,16 A | 11,22 A | 11,30 A |
| Voc | 34,88 V | 35,23 V | 35,37 V | 35,54 V |
| Imp | 10,32 A | 10,43 A | 10,50 A | 10,56 A |
| Vmp | 29,26 V | 29,72 V | 29,89 V | 30,15 V |
| Operating parameters. Temperature coefficients | | | | |
| Maximum voltage | 1000 - 1500 V | | | |
| Maximum series fuse rating. Ir | 25 A | | | |
| α Isc | 0,045 % / °C | | | |
| β Voc | - 0,275 % / °C | | | |
| γ Pmax | - 0,35 % / °C | | | |
| Temperature range | - 40°C ~ + 85 °C | | | |
| NOCT | 45 ± 2 °C | | | |

NOTE: Read the instruction manual of this product and follow the indications STC. Values are valid for: 1000W/m², AM 1,5 and cells temperature of 25°C. Measurement tolerance +/-3% (AAA Solar simulation -IEC 60.904-9-). All the information of this brochure may be amended without notice by Eurener. Eurener_MEPV 108_HALF-CUT ICON_400-420Wp_EN_JAN2023



www.eurenergroupp.com
 contact@eurenerworld.com
 +34 960 045 515
 Calle Colón, 1-23
 46004, Valencia. Spain

Manufacturing a better world

Since 1997 our main purpose has been to supply quality and long-lasting photovoltaic modules that allow us and future generations, to continue generating clean energy to take care of our planet.